

LCN 4630 SERIES "Auto-Equalizer"

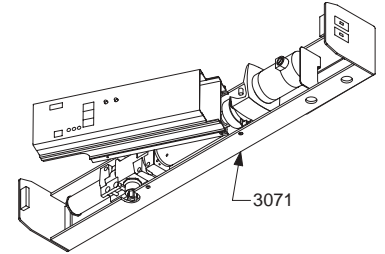
Cylinder Assemblies

4631-3071	Cylinder Assembly	F, S
	<i>Includes 4631-3971, 4630-3018, & -3462</i>	
	<i>Cylinder is adjustable size 1-4</i>	

Individual Cylinder Parts

Individual cylinder parts for 4631-3071

4631-3971	Cylinder Only	F, S
	<i>Does not include any other components</i>	
	<i>Cylinder is adjustable size 1-4</i>	



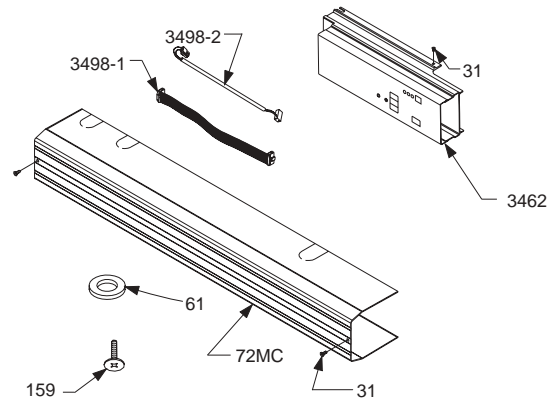
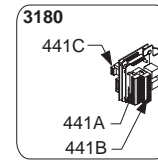
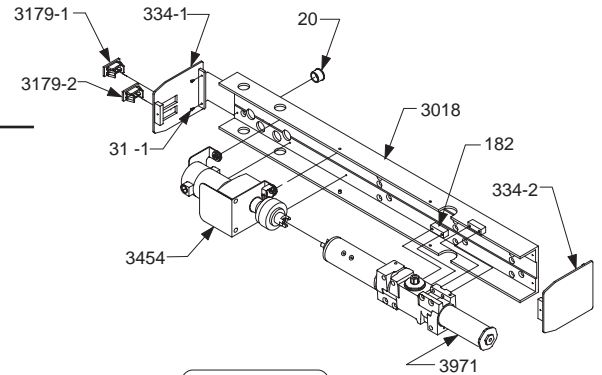
Mounting Plate Assemblies

4630-3018	Mounting Plate Assembly
	<i>Includes 4630-20, -182(2), -334-1, -334-2, -3179-1, -3179-2, -3180, & -3454</i>

Individual Parts

Individual parts for 4631-3071, & -3018

4630-20	Conduit Cover	F
4630-31	Controller Screw	F
4630-31-1	End Cap screw	F
4630-61	Shaft Spacer	
4630-159	Arm Screw	F
4630-182	Stand-off	
4630-334-1	Switch End Cap	
	<i>Includes 4630-31-1 (2)</i>	
4630-334-2	Blank End Cap	
	<i>Includes 4630-31-1 (2)</i>	
4630-441A	Connector Plug (1-12)	
4630-441B	Connector Plug (13-24)	
4630-441C	A/C Power Plug	
4630-3179-1	On/Off Switch Assembly	
4630-3179-2	Hold Open Switch Assembly	
4630-3180	I/O Board Assembly	
	<i>Includes 4630-441A, -441B, & -441C</i>	
4630-3454	Motor/Clutch Assembly	
4630-3462	Controller Assembly	
	<i>Includes 4630-31 (1)</i>	
4630-3498-1	Ribbon Cable Connector	
4630-3498-2	A/C Power Cable	



Cover

4630-72MC	Metal Cover	F
	<i>Includes 4630-31(2)</i>	

Individual Cover Parts

Individual cover parts for 4630-72MC

4630-31	Cover Screw	F
---------	-------------	---

Please specify finish (F), size (S), hand (H), & voltage (V) where indicated. See the latest edition of the LCN Catalog for part descriptions and specifications on many of the items shown above. List prices for items shown above can be located in the current LCN Price List.

LCN 4630 SERIES "Auto-Equalizer"

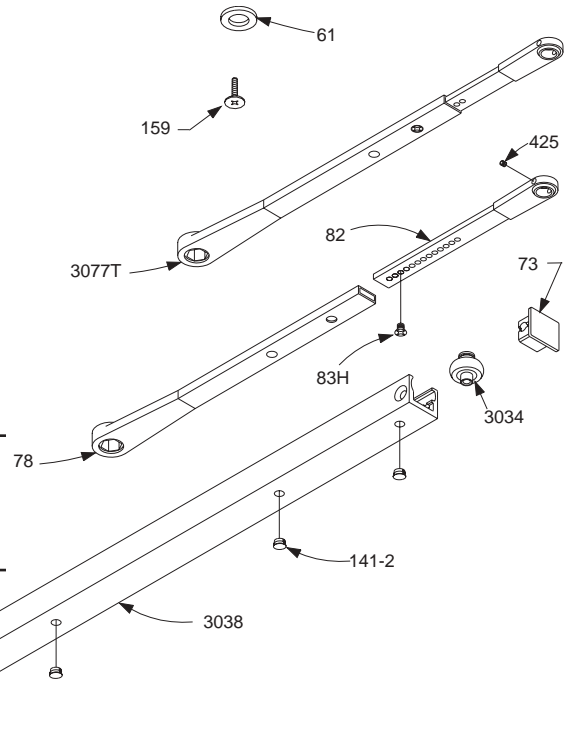
Complete Arm Assemblies

4630-3077T Standard Arm F
Includes 4630-61, -78, -82, -83H, -159, & -425

Individual Arm Parts

Individual arm parts for 4630-3077T

4630-61 Shaft Spacer
4630-78 Arm & Tube F
Includes 4630-159
4630-82 Rod F
Includes 4630-83H, & -425
4630-83H H Arm Screw F
4630-159 Arm Screw F
4630-425 Roller Locking Screw
4630-480 Shaft Extension Kit F
Includes 4630-159, lock washer & extention
4630-3034 Track Roller



Complete Track Assemblies

4630-3038 Standard Track F
Includes 4630-73(2), & -141-2(4)

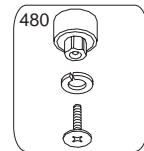
Individual Track Parts

Individual track parts for 4630-3038

4630-73 End Cap F
4630-141-2 Track Plug
4630-3034 Track Roller

Installations Accessories

4630-155-1 AE Door Decal
(Black/ Yellow Caution decal)
4630-155-2 Door Decal
(Blue/White Switch decal)



155-1



155-2

Please specify finish (F), size (S), hand (H), & voltage (V) where indicated. See the latest edition of the LCN Catalog for part descriptions and specifications on many of the items shown above. List prices for items shown above can be located in the current LCN Price List.